



 Hetmaniok

MOUNTING
STRUCTURES

FOR PHOTOVOLTAICS

PRODUCTS CATALOGUE

| 2024





ISO 900
EN ISO 1090
EN ISO 3834 2

📍 **W&H Sp. z o.o.**

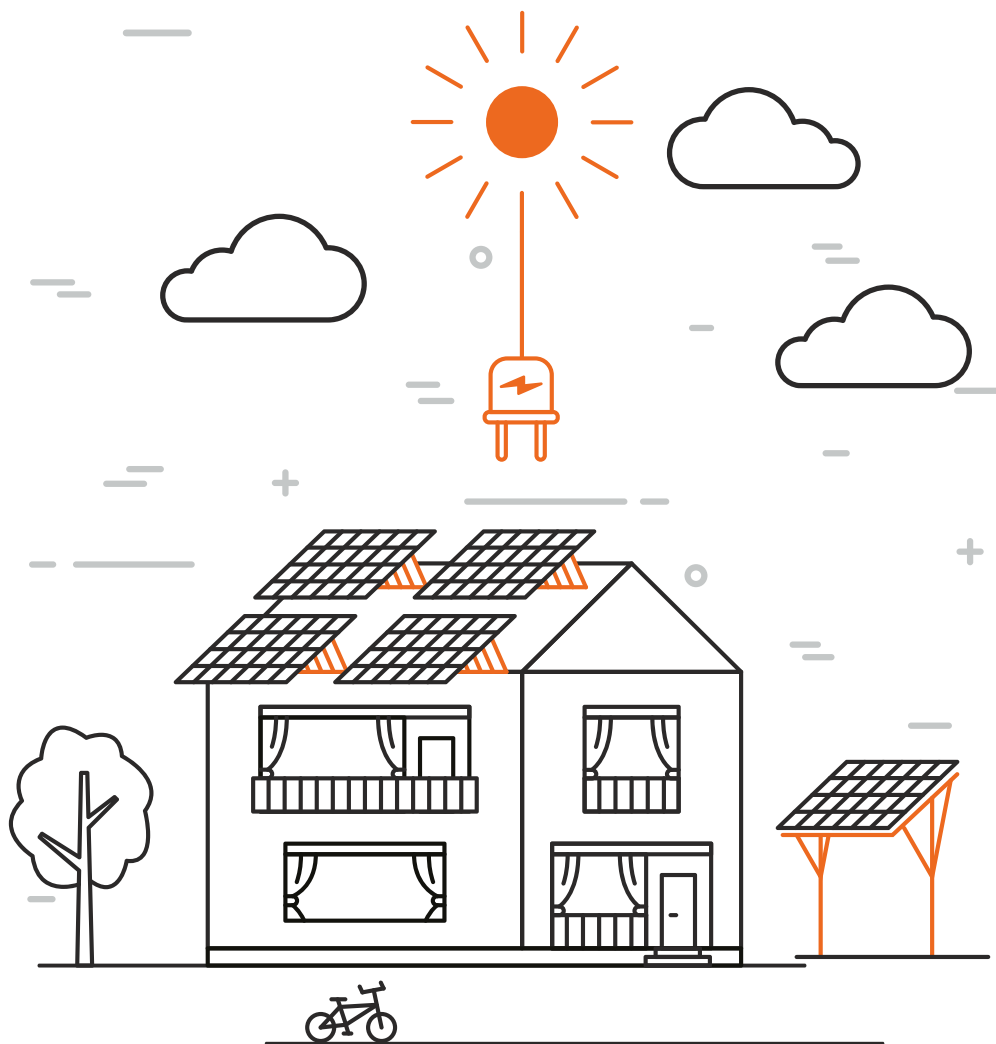
ul. Kościuszki 49,
44-351 Turza Śląska,
Poland

☎ +48 791 730 721

✉ oferta@hetmaniok.pl

🖱 hetmaniok.pl

PRODUCTS CATALOGUE

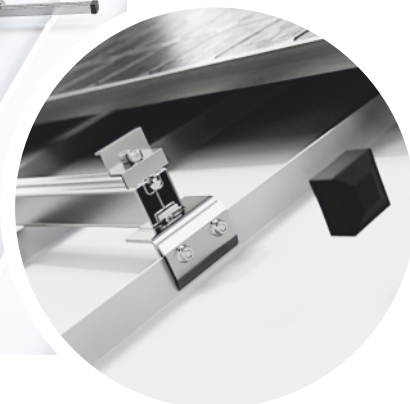


MOUNTING STRUCTURES
FOR PHOTOVOLTAICS

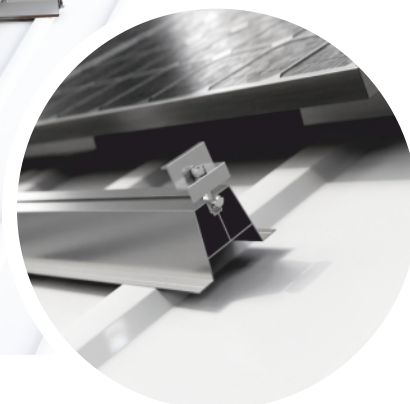
W&H Sp. z o. o.

STRUCTURES FOR A PITCHED ROOF

- ▶ Modules: from 2
- ▶ TÜV Certificate



STANDING SEAM ROOF

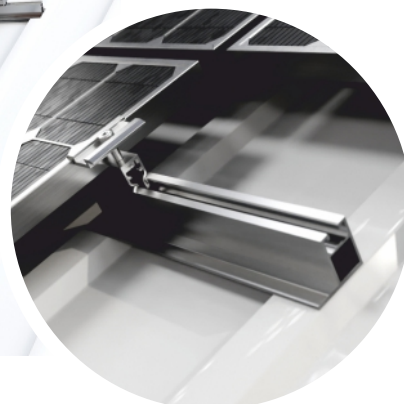


TRAPEZOIDAL SHEET



TRAPEZOIDAL SHEET, CLICK SYSTEM, HORIZONTAL

The most common roof in Poland is the pitched roof. Photovoltaic panels can also be mounted on this type of roof. The basis for such an installation is an appropriate design, and in particular a solution that enables effective fixing depending on the roof covering.



TRAPEZOIDAL SHEET, CLICK SYSTEM, VERTICAL



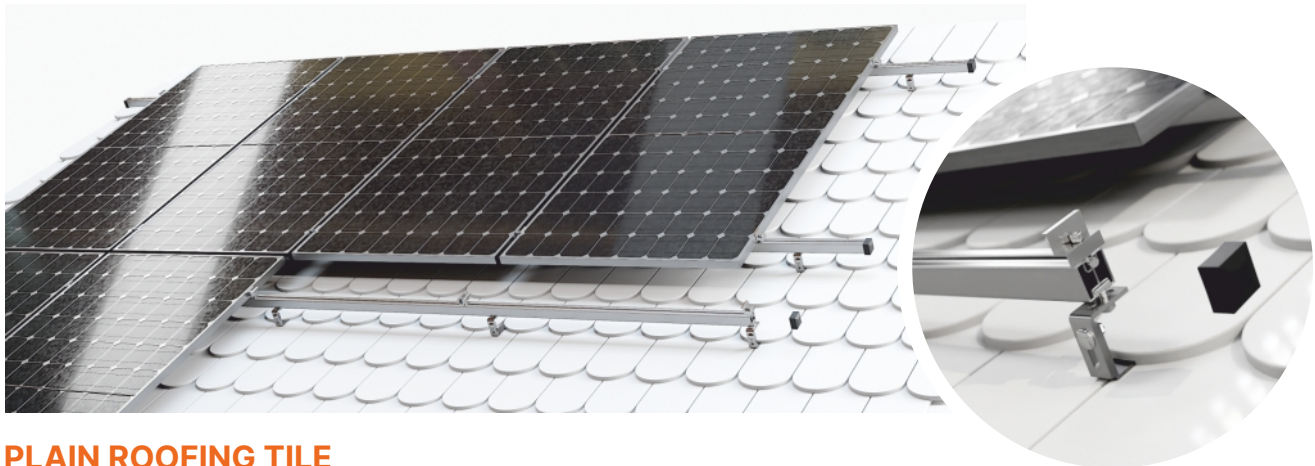
BITUMEN ROOFING TILE



BITUMEN ROOFING TILE, DUAL THREAD SCREW



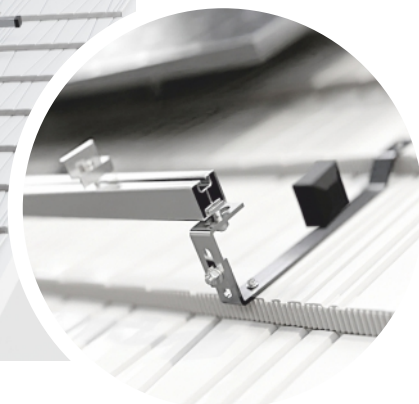
CERAMIC/CONCRETE ROOFING TILE



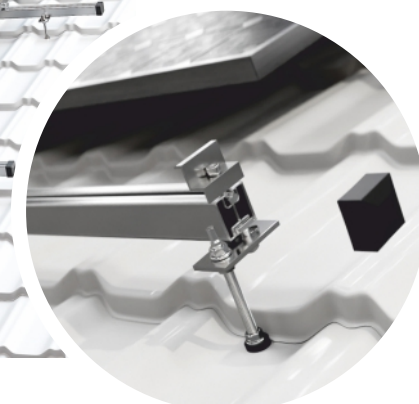
PLAIN ROOFING TILE



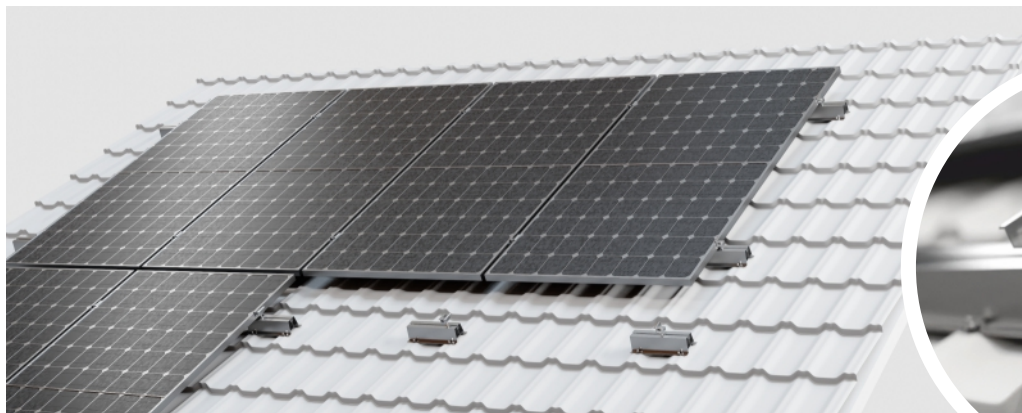
METAL ROOFING TILE, ADJUSTABLE CLAMP



METAL ROOFING TILE „JANOSIK”, ADJUSTING CLAMP



METAL ROOFING TILE, DUAL THREAD SCREW



METAL ROOFING TILE, TRAPEZOIDAL BRIDGE CONSTRUCTION

W&H Sp. z o. o.

STRUCTURES FOR A FLAT ROOF

- ▶ Modules: from 1
- ▶ TÜV Certificate



Photovoltaic installations mounted on a flat roof require the use of construction in such a way as to achieve the optimal angle of incidence of sunlight relative to photovoltaic cells. Our offer includes systems based on:

- low and high support,
- aluminium triangles for invasive and non-invasive installation



AERO BALLAST STRUCTURE, SOUTH



AERO BALLAST STRUCTURE, EAST/WEST



BALLAST STRUCTURE, SOUTH



**BALLAST STRUCTURE,
EAST/WEST**



**ADHESIVE STRUCTURE,
SUPPORTS**

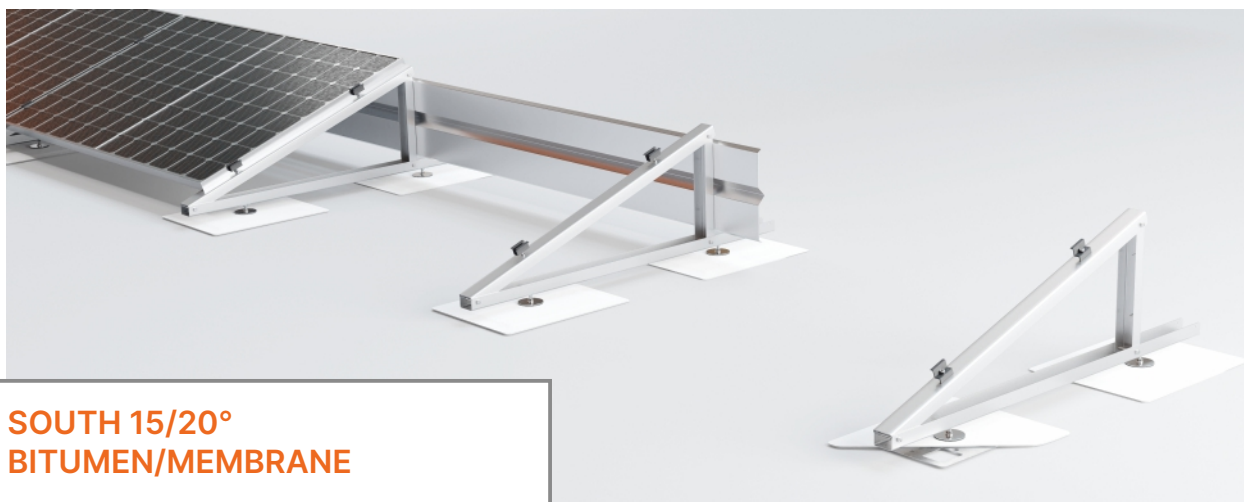


**SUPPORT STRUCTURE
ON AERO RAILS**

STRUCTURES FOR A FLAT ROOF

MAGNELIS TRIANGLE

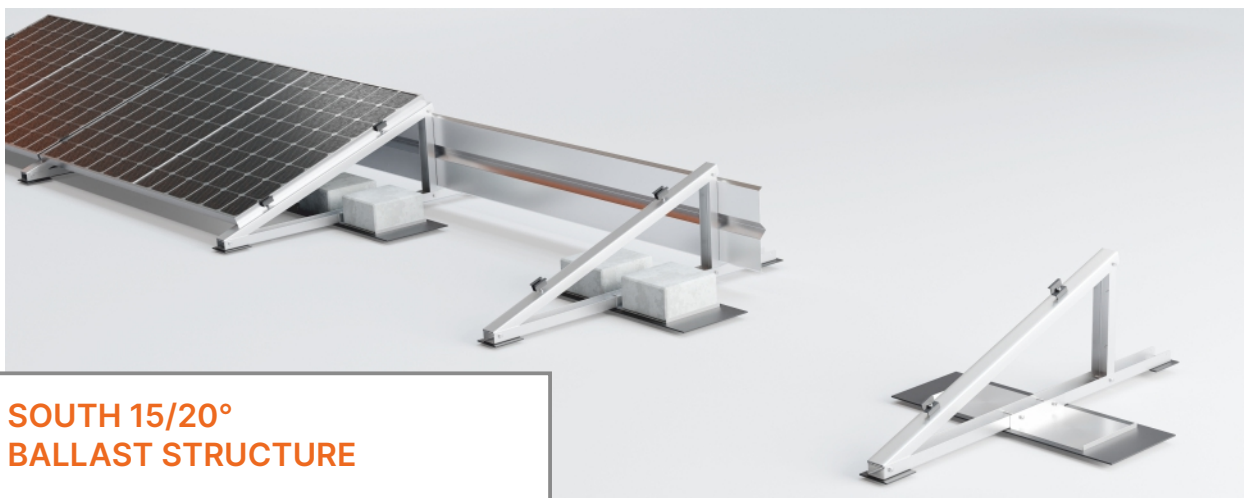
- ▶ Modules: from 1
- ▶ TÜV Certificate



**SOUTH 15/20°
BITUMEN/MEMBRANE**



**SOUTH 15/20°
DUAL THREAD SCREW**



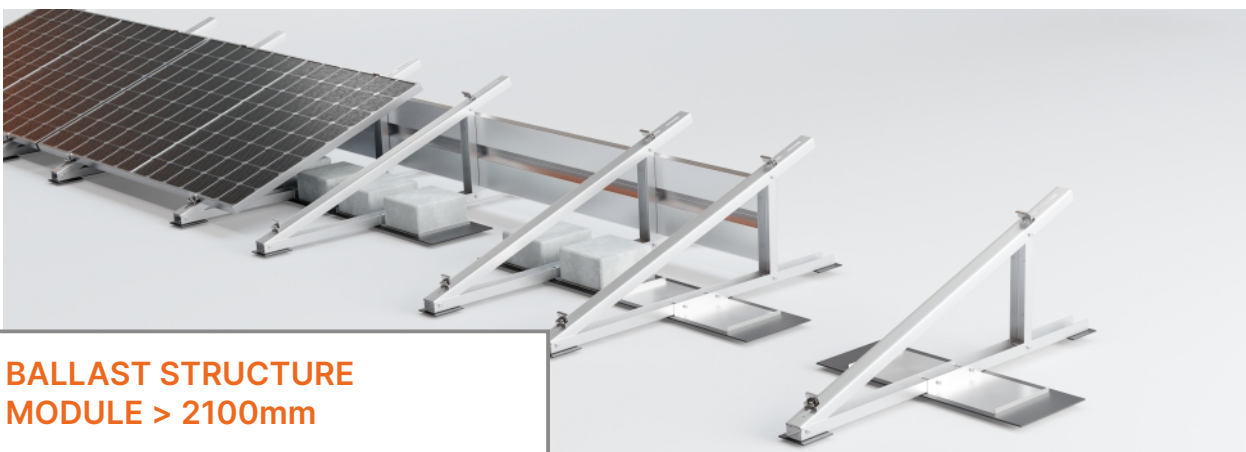
**SOUTH 15/20°
BALLAST STRUCTURE**



**SOUTH 15/20°
ROOF SANDWICH PANELS**



**SOUTH 15/20° BIFACIAL
ROOF SANDWICH PANELS**



**BALLAST STRUCTURE
MODULE > 2100mm**



**ADHESIVE STRUCTURE
MODULE > 2100mm**



**ADHESIVE STRUCTURE
WIDE MAGNELIS TRIANGLE**



**BALLAST STRUCTURE
WIDE MAGNELIS TRIANGLE**



**STRUCTRE ON AERO RAILS
WIDE MAGNELIS TRIANGLE**



**STRUCTRE ON AERO RAILS
MODULE > 2100mm**



STRUCTURES FOR A FLAT ROOF

MAGNELIS TRIANGLE

- ▶ Modules: from 2
- ▶ TÜV Certificate



**2 ROWS, SOUTH 15/20°
BITUMEN/MEMBRANE**



**2 ROWS, SOUTH 15/20°
DUAL THREAD SCREW**



**2 ROWS, SOUTH 15/20°
BALLAST STRUCTURE**

STRUCTURES FOR A FLAT ROOF

MAGNELIS TRIANGLE

- ▶ Modules: from 2
- ▶ TÜV Certificate



**EAST/WEST
BITUMEN/MEMBRANE**



**EAST/WEST
DUAL THREAD SCREW**



**EAST/WEST
BALLAST STRUCTURE**



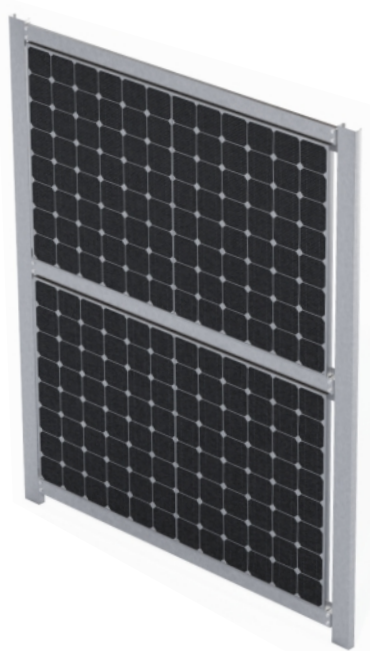
**STRUCTURE PARALLEL TO THE ROOF
SCREW WITH PRESSURE**



**BALCONY STRUCTURE
MAGNELIS TRIANGLE 15°**



**PHOTOVOLTAIC FENCE
1 PANEL VERTICALLY, BIFACIAL**



**PHOTOVOLTAIC FENCE
2 PANELS HORIZONTALLY, BIFACIAL**

FREE STANDING
STRUCTURES

DOUBLE SUPPORT



STEEL/MAGNELIS
STRUCTURE



**2 PANELS
VERTICALLY**

- ▶ Modules from: 2
- ▶ TÜV Certificate



**4 PANELS
HORIZONTALLY**

- ▶ Modules from: 4
- ▶ TÜV Certificate

Free-standing structures, due to their foundation in the ground, require exceptional refinement of all components. Depending on the needs, single and double-support structures are available.



**STEEL/ALUMINIUM
STRUCTURE**



**2 PANELS
VERTICALLY**

- ▶ Modules from: 2
- ▶ TÜV Certificate



**3 PANELS
HORIZONTALLY**

- ▶ Modules from: 3
- ▶ TÜV Certificate



**4 PANELS
HORIZONTALLY**

- ▶ Modules from: 4
- ▶ TÜV Certificate



**5 PANELS
HORIZONTALLY**

- ▶ Modules from: 5
- ▶ TÜV Certificate

Free-standing structures, due to their foundation in the ground, require exceptional refinement of all components. Depending on the needs, single and double-support structures are available.



**STEEL/MAGNELIS
STRUCTURE**



**2 PANELS
VERTICALLY
BIFACIAL**

- ▶ Modules from: 2
- ▶ TÜV Certificate



**3 PANELS
HORIZONTALLY**

- ▶ Modules from: 3
- ▶ TÜV Certificate



**3 PANELS
HORIZONTALLY
BIFACIAL**

- ▶ Modules from: 3
- ▶ TÜV Certificate



**4 PANELS
HORIZONTALLY
BIFACIAL**

- ▶ Modules from: 4
- ▶ TÜV Certificate

FREE STANDING
STRUCTURES

SINGLE SUPPORT



**2 PANELS
VERTICALLY**

- ▶ Modules from: 2
- ▶ TÜV Certificate



**3 PANELS
HORIZONTALLY**

- ▶ Modules from: 3
- ▶ TÜV Certificate

FREE STANDING
STRUCTURES

CARPORT



ALUMINIUM
STRUCTURE

module heavier >25 kg

STEEL
STRUCTURE



STEEL OR
ALUMINIUM
CONSTRUCTION



MODULAR
SYSTEM
DESIGN



CHOOSE ANY
FROM THE RAL
COLOUR CHART

In our offer you will find aluminium and steel carports. Single and double space carport modules that can be joined together.

Single carport is 2.5 m wide (according to current requirements).

It is possible to make the Carport according to individual customer requirements and to paint it in any colour from the "RAL" colour chart.

ASSEMBLY ELEMENTS FOR MOUNTING STRUCTURES

As a manufacturer of mounting structures, we supply proven solutions for every type of roof with any type of covering. We focus on the quality and durability of all construction elements.

W&H Sp. z o. o.

ALLEN BOLT



- ▶ M8x20
- ▶ M8x25
- ▶ M8x30
- ▶ M8x35

W&H Sp. z o. o.

HEX HEAD BOLT



- ▶ M10x25

W&H Sp. z o. o.

HAMMER HEAD BOLT



- ▶ M10x25
- ▶ M10x30

W&H Sp. z o. o.

CARRIGE BOLT



- ▶ M10x25

W&H Sp. z o. o.

DUAL THREAD SCREW



- ▶ M10x200 A2 Set
- ▶ M10x250 A2 Set
- ▶ M10x300 A2 Set

W&H Sp. z o. o.

FLANGE NUT



- ▶ M10

W&H Sp. z o. o.

ROMBOIDAL WASHER



- ▶ M8

W&H Sp. z o. o.

FARMER SCREW



- ▶ 4,8x55

W&H Sp. z o. o.

SELF TAPPING SCREW



- ▶ 5,5x25 EPDM

W&H Sp. z o. o.

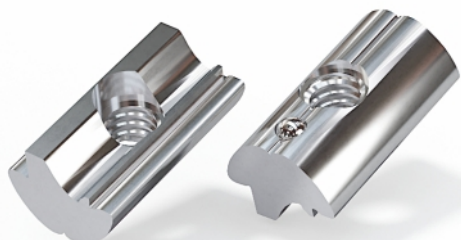
ZINC COATED SELF TAPPING SCREW



- ▶ 8x50, 6x60, 6x100

W&H Sp. z o. o.

SLIDING SLOT WITH A BALL



▶ M8

W&H Sp. z o. o.

GROUNDING PLATE



▶ inox

W&H Sp. z o. o.

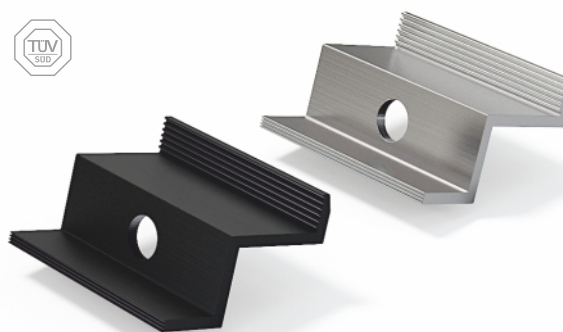
MIDDLE CLAMP



▶ silver/black

W&H Sp. z o. o.

END CLAMP



▶ 30, 32, 35, 40
▶ silver/black

W&H Sp. z o. o.

MOUNTING ADAPTER



▶ stel: 30x5
▶ aluminium: 30x5, 40x5

W&H Sp. z o. o.

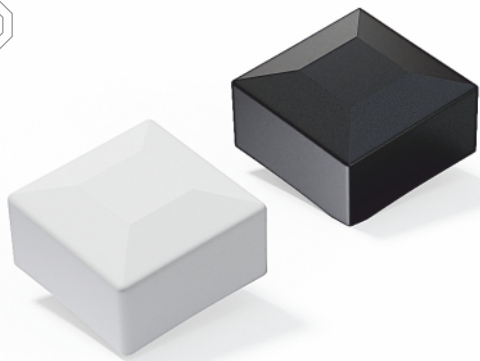
MOUNTING PROFILE CONNECTOR



▶ 40x40, 80x40

W&H Sp. z o. o.

END CAP 40X40



▶ silver / black

W&H Sp. z o. o.

END CAP 80X40



▶ silver / black

W&H Sp. z o. o.

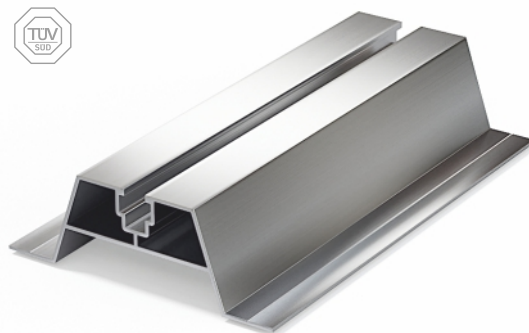
DRIVEN CUP



▶ black

W&H Sp. z o. o.

T40 TRAPEZOIDAL BRIDGE



- ▶ T40 330mm EPDM
- ▶ T40 400mm EPDM
- ▶ T40 470mm EPDM

W&H Sp. z o. o.

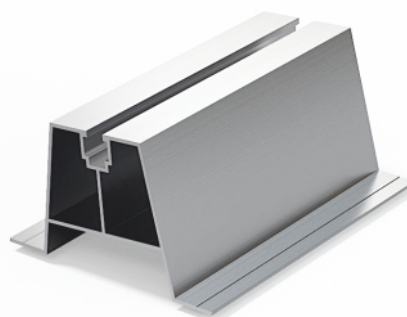
T70 TRAPEZOIDAL BRIDGE



- ▶ T70 330mm EPDM
- ▶ T70 400mm EPDM
- ▶ T70 470mm EPDM

W&H Sp. z o. o.

PITCHED TRAPEZOIDAL T70 BRIDGE



▶ 330mm

W&H Sp. z o. o.

**T40 MAGNELIS
TRAPEZOIDAL BRIDGE**



- ▶ T40 330mm EPDM
- ▶ T40 400mm EPDM
- ▶ T40 470mm EPDM

W&H Sp. z o. o.

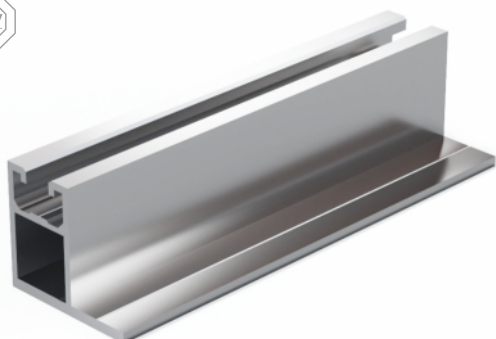
**T70 MAGNELIS
TRAPEZOIDAL BRIDGE**



- ▶ T70 330mm EPDM
- ▶ T70 400mm EPDM
- ▶ T70 470mm EPDM

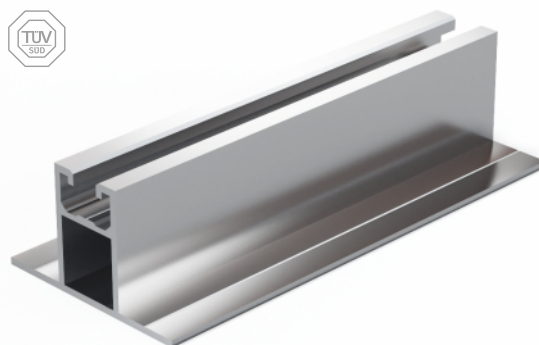
W&H Sp. z o. o.

**SINGLE-SIDED BRIDGE
CLICK SYSTEM**



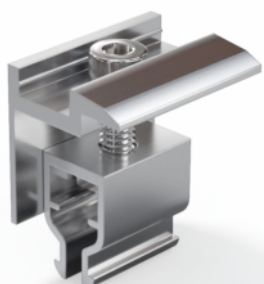
W&H Sp. z o. o.

**DOUBLE-SIDED BRIDGE
CLICK SYSTEM**



W&H Sp. z o. o.

**END CLAMPS
CLICK SYSTEM**



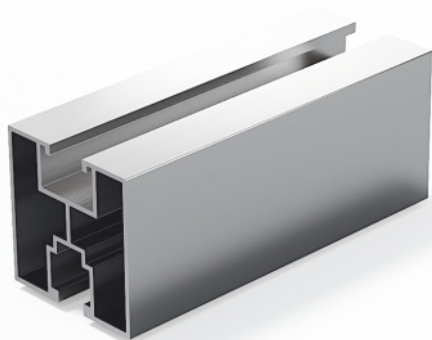
W&H Sp. z o. o.

**MIDDLE CLAMPS
CLICK SYSTEM**



W&H Sp. z o. o.

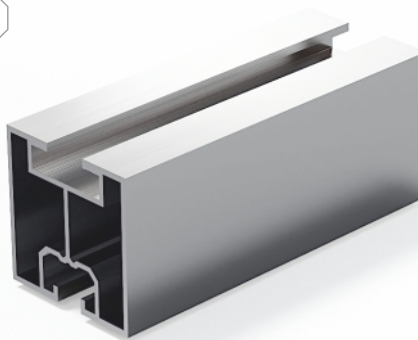
HEX HEAD BOLT ALUMINIUM PROFILE



▶ 40X40 hex head bolt

W&H Sp. z o. o.

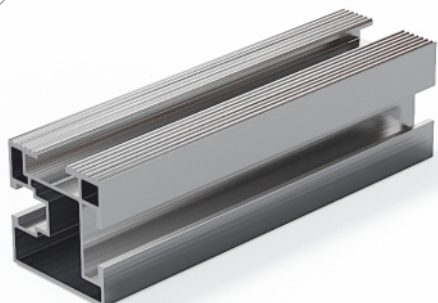
HAMMER HEAD BOLT ALUMINIUM PROFILE



▶ 40X40 hammer head bolt

W&H Sp. z o. o.

„ENGLISH” ALUMINIUM PROFILE



▶ 40X40

W&H Sp. z o. o.

STANDING SEAM BRACKET



▶ UBR

W&H Sp. z o. o.

SPACER EPDM



▶ 70X40X2

W&H Sp. z o. o.

METAL ROOFING TILE „JANOSIK”, ADJUSTABLE CLAMP



W&H Sp. z o. o.

**ADJUSTABLE
L CLAMP**



▶ ULR175

W&H Sp. z o. o.

**NON ADJUSTABLE
L CLAMP**



▶ ULN175

W&H Sp. z o. o.

**ADJUSTABLE
S CLAMP**



▶ USR420, USR450, USR480, USR500
▶ USR520, USR550, USR570, USR600

W&H Sp. z o. o.

**NON ADJUSTABLE
S CLAMP**



▶ USN460, USN470, USN480, USN500
▶ USN520, USN550, USN560

W&H Sp. z o. o.

**ADJUSTABLE CLAMP
FOR METAL ROOFING TILE**



▶ UDB350, UDB400

W&H Sp. z o. o.

**ADJUSTABLE CLAMP
FOR PLAIN ROOFING TILE**



▶ UKR305

W&H Sp. z o. o.

NON ADJUSTABLE CLAMP FOR PLAIN ROOFING TILE



▶ UKN305

W&H Sp. z o. o.

WIDE PLAIN ROOF CLAMP



▶ 300mm

W&H Sp. z o. o.

DUBLE ADJUSTABLE RAFTER CLAMP I



▶ 140mm Vario I

W&H Sp. z o. o.

DUBLE ADJUSTABLE RAFTER CLAMP II



▶ 140mm Vario II

W&H Sp. z o. o.

DUBLE ADJUSTABLE RAFTER CLAMP III



▶ 140mm Vario III

W&H Sp. z o. o.

„ENGLISH” PROFILE RAFTER CLAMP



▶ 140mm Vario IV

W&H Sp. z o. o.

SMALL TRIANGLE MOUNT



▶ Horizontal module orientation 15° 25°

W&H Sp. z o. o.

LARGE TRIANGLE MOUNT



▶ Vertical module orientation 15° 25°

W&H Sp. z o. o.

ADJUSTABLE LARGE TRIANGLE MOUNT



▶ Vertical module orientation

W&H Sp. z o. o.

MAGNELIS TRIANGLE ADJUSTABLE SOUTH 15/20°



▶ Horizontal module orientation 15° 20°

W&H Sp. z o. o.

MAGNELIS TRIANGLE EAST/WEST 15°



▶ Horizontal module orientation 15°

W&H Sp. z o. o.

MAGNELIS TRIANGLE MODULAR SOUTH 15°



▶ Horizontal module orientation 15°

W&H Sp. z o. o.

MOUNTING PLATE



▶ 300x225x1,5mm

W&H Sp. z o. o.

SCREW WITH PRESSURE PLATE ON AN EPDM PAD



▶ fi 80mm

W&H Sp. z o. o.

WIDE MAGNELIS TRIANGLE MOUNT



▶ Horizontal module orientation 15° 25°

W&H Sp. z o. o.

SMALL HEAT PUMP STAND



▶ length: 480, 780 width: 430 height: 430

W&H Sp. z o. o.

LARGE HEAT PUMP STAND



▶ length: 735, 1200 width: 430 height: 430

W&H Sp. z o. o.

INVERTER STANDING SUPPORT



▶ width: 1485, 2000 height: 3000



📍 **W&H Sp. z o.o.**

ul. Kościuszki 49,
44 351 Turza Śląska,
Poland

☎ +48 791 730 721

✉ oferta@hetmaniok.pl

[hetmaniok.pl](https://www.hetmaniok.pl)